

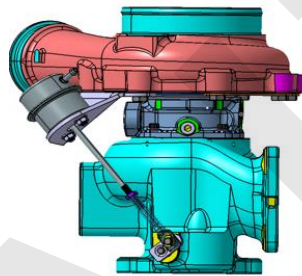
February 2025  
Technical Bulletin  
Full Distribution

**Tech001 – 2025 - OM 470 – 10.8L Speed sensor installation instructions.**

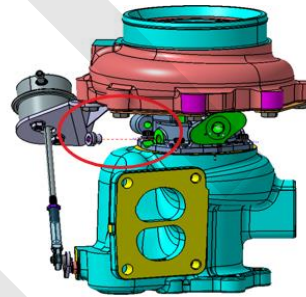
Dear Customers,

This Technical bulletin is to provide you with instructions on how to install the original OE speed sensor on turbo PN 917946-5001Y & PN 917946-5002Y.

Please follow the steps below:

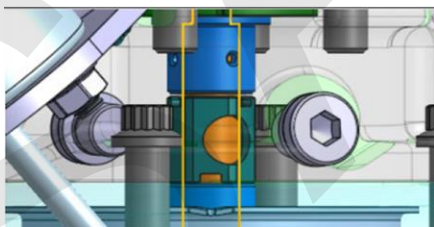


**STEP 1**  
Receive GTX turbocharger  
from Box w/o sensor



**STEP 2**  
Remove the plug from  
CHRA as above

**STEP 3:** Once the center housing plug is removed, please check if the bearing spacer hole is aligned with center housing hole:



Bearing spacer has free rotation. Speed sensor needs to be aligned with hole in the spacer



Above pictures show bearing spacer hole not aligned with center housing hole.

To align the bearing spacer hole with the center housing hole, please use a suitable tool that fits into the hole and gently rotate the spacer until it is perfectly aligned.



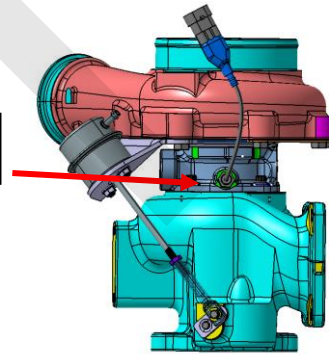
Above pictures show bearing spacer hole aligned with center housing hole.

**STEP 4:** Once the bearing spacer is perfectly aligned, the original OE speed sensor can be installed.

- Please inspect original OE speed sensor & ensure it is not damaged before installation to the new turbo.



Tighten speed sensor to 15.0 – 17.0 Nm



We strongly advise that a copy of these guidelines should be passed to every customer purchasing these turbocharger from you.

The correct installation of the speed sensor is critical.

Please distribute this information to all in your company who may need it.

Best Regards,  
IAM Technical support Specialist team.  
Garrett – Advancing Motion